

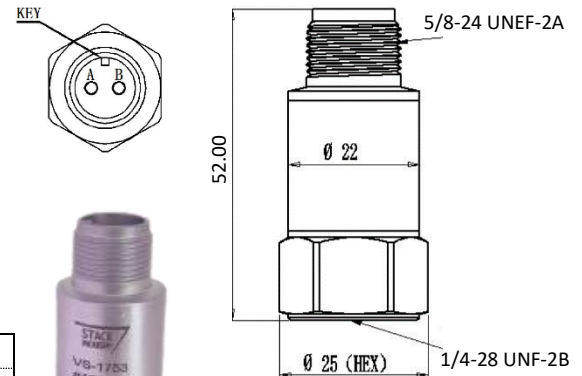
#VB-17 Series 4-20mA , Isolated, Industrial Monitoring

Features:

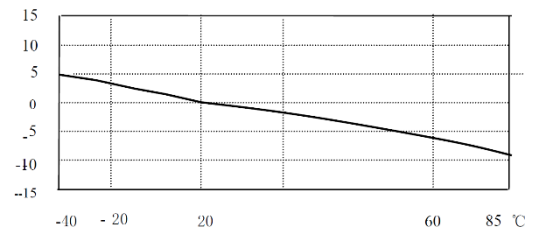
- Embedded Precision integration circuit, true RMS 4-20mA Output.
- Absolute vibration velocity measurement for equipment failure.
- Strong anti-interference performance.
- Isolation and Floating, Industrial Site monitoring.

SPECIFICATIONS:

DYNAMIC CHARACTERISTICS	
Measuring Range (RMS)	0-25 mm/Sec , 0 – 50 mm/Sec
Output	4~20 mA
Amplitude Non Linearity	< 2 %
Frequency Response	10 to 1000 Hz
Lateral Sensitivity Ratio	<= 5%
ELECTRICAL PROPERTIES	
Supply Voltage	15 Vdc ~ 30 Vdc
Install Ground Insulation	>= 10 ⁸ OHM
ENVIRONMENTAL PROPERTIES	
Operating temperature	-40 TO +85 Deg C
Shock Limit (Peak)	2000 g
Temperature Response	As per Graph
PHYSICAL PROPERTIES	
Structure Type	Cut
Shell Material	304 SS
Output Method	5/8-24 Two Pin Socket
Installation Method	1/4-28
Piezoelectric Material	PZT-5
Protection Class	IP-65
Weight	~80 g
Mounting Bolts	1/4-28 Turn M6
Connecting Cable	Mil two-core Connecting Cable



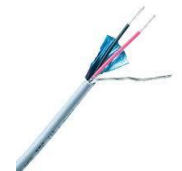
Sensor



Accessories (OPTIONAL)



Connector



Cable 0.5 sq.mm (As Per Requirement Meter)



M6 Stud



SS Conduit Cable



Magnetic Base



Welding Base

Installation Notes:

The mounting base is connected to the chassis of the measured point by M6x1 bolts, and is 6 mm deep. M6x1 mm Bolt can be used to fasten the sensor to mounting hole. Magnetic Stud, Welding Base can be used to mount the sensor.

Wiring Instructions:

2 Wire , 4-20 mA output is standard with 24 VDC.

A : RED : +24V DC Supply

B: BLACK : 4~20 mA Output

Cable Shield : Connected to chassis Ground.